

### Product Features

- Ø DB9-S/P space saving connector
- Ø RS-232C data interface fully compatible with PC
- Ø DB9 connector and terminal are optional to RS-485 interface
- Ø Automatic direction control of transmitting data (TXD), zero-latency design
- Ø Working mode: asynchronous half duplex
- Ø High efficiency serial port electricity stealing technology, need no external power supply, real three line (TD, RD, GND) mode communication
- Ø Communication speed: 0-115.2kbps, high to 460.8kbps
- Ø Transmission distance: 0-1200 [meter@24AWG](#)

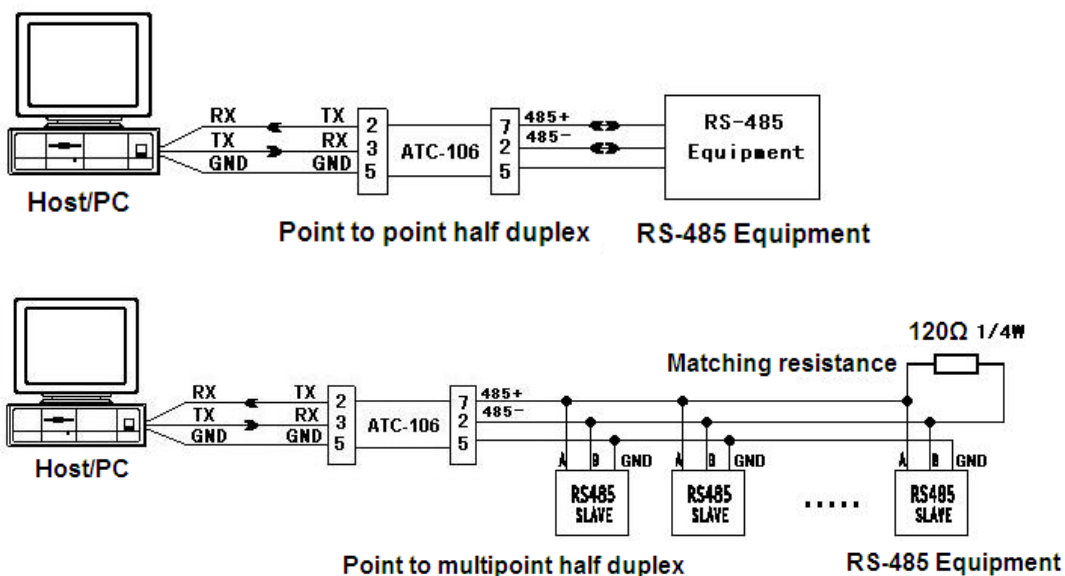


### Product Description

ATC - 106/106N interface converter can send the signal RS-232C serial port data (TD) and receive data (RD) into two line balance of the half-duplex RS - 485 signal. It is the best choice of a remote Control device or point to multipoint communication bus. The interface transition device don't need ac/dc converter, it can be directly from the Data within the RS-232 port transmitter data (TD), request to Send (RTS) or Data terminal ready (DTR) to obtain power. It also have the Automatic Send Data Line Control function. When to Send and receive Data, do not need the RTS control. So the power supply from serial port and Automatic flow Control makes you don't have to reset the hardware or install software. Improve the surge protection, can ensure the safety of the RS-485 network.

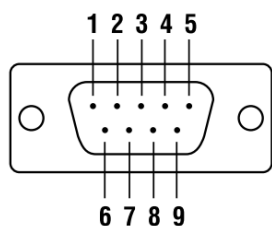
### Application

- Ø Point to point, point to multi-point communication
- Ø Industrial distribution system, industrial control automation
- Ø Road traffic control automation
- Ø Closed circuit monitoring
- Ø Security protection system
- Ø Intelligent card, check on work attendance gate safety system



## Pin Assignment

RS-232 DB-9(Male)



PIN	RS-232
1/4/6/9	-
2	RXD(in)
3	TXD(out)
5	GND
7	CTS(out)
8	RTS(in)

RS-485 4-pin Terminal block

1	2	5	6
485+(T+)	485-(T-)	VCC(9~32VDC)	GND

RS-485 6-pin Terminal block

1	2	3	4	5	6
485+(T+)	485-(T-)	R+	R-	VCC(9~32VDC)	GND

## Order Information

ATC-106 A Port Powered RS-232 to RS-485 Interface Converter (4-bit terminal)

ATC-106N Port Powered RS-232 to RS-485 Interface Converter (6-bit terminal)

ATC-106NH RS-232 to RS-485 High Speed Interface Converter (4-bit terminal)

## Specifications

Communication Parameters	
Interface	Compatible with the EIA/TIA RS-232-C and RS-485 standard
RS-232	TD, RD, GND
RS-485	485+, 485-, GND
Working mode	Point to point or point to multipoint, asynchronous half duplex(two line)
Direction control	Automatic Send Data Line Control, automatic identification and control data transmission direction
Baud rate	300-115.2kbps, automatic detection rate of serial port signals
Transmission distance	RS-485 side 1200 meters (19.2 kbps), RS-232 side suggest no more than 10 meters
Connector	RS-232 DB-9 female
	RS-485/422 DB9 male or 6-pin Terminal block
Load capacity	Maximum connections of 32 nodes (64,128,256 can be customized)
Power Supply Parameters	
Power supply	Without external power supply. Equipment from RS-232 port TXD, RTS, DTR signal for power supply.
Power consumption	Static power consumption within 10 mA, dynamic average power consumption of 40 mA
Physical Characteristics	
Housing	Plastic shell
Weight	0.45Kg
Dimensions	88mmx33mmx17mm
Environmental Limits	
Operating Temperature	-20 ~ 70°C (-4 ~ 158°F)
Storage Temperature	-40 ~ 85°C (-40 ~ 176°F)
Ambient Relative Humidity	5% to 95%(non-condensing)
Standards and Certifications	
RoHS, CE, FCC	

## Contact us

Shenzhen ATC Technology Co., Ltd

Room 803, Block B, Building 4, Tian'an Cyber Park, Longgang District, Shenzhen,China,518172

Tel: +86-755 - 8345 2531 / 8345 3318

Fax: +86-755-2899 8985

[www.szatc.com](http://www.szatc.com) [tech@szatc.com](mailto:tech@szatc.com)